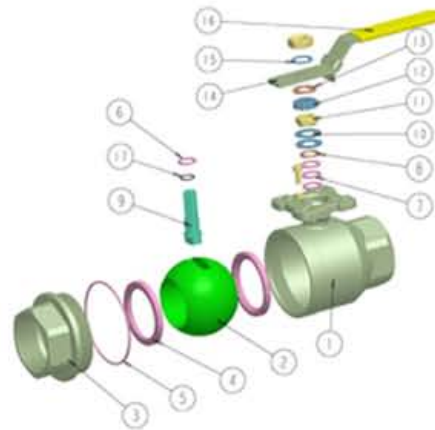
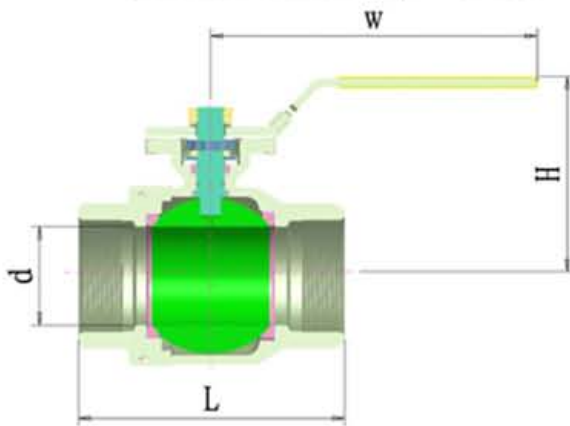




2 Pc. Screwed End AISI 316 Ball Valve

1000PSI

(DESIGN STANDARD): ASME B16.34 GB/T12237
 (TEST&INSPECTION): API598 JB/T9092



(MAIN PARTS MATERIALS):

No	Name	Material
1	BODY	CF8M WCB
2	BALL	SS316 SS304
3	CAP	CF8M WCB
4	SEAT	PTFE PTFE
5	JOINT GASKET	PTFE PTFE
6	THRUST WASHER	PTFE PTFE
7	PACKING	PTFE PTFE
8	GLAND	SS304 SS304
9	STEM	SS316 SS304
10	DISC SPRING	SS316 SS316
11	NUT	A2-70 A2-70
12	CROWN WASHER	SS304 SS304
13	WASHER	SS304 SS304
14	HANDLE	SS201 SS201
15	SPRING WASHER	SS304 SS304
16	HANDLE COVER	PVC PVC
17	O-RING	VITON VITON

(MAIN SIZE):

(UNIT): mm

Size	1/4"	3/8"	1/2"	3/4"	1"	1-1/4"	1-1/2"	2"	2-1/2"	3"	4"
d	7	10	15	20	25	32	40	50	65	76	100
L	50	60	75	80	90	110	120	140	185	205	240
H	64	64	64	70	95	98	100	108	145	160	170
W	120	120	120	120	165	165	190	190	250	250	325

Note: The above technical data are just for your reference only any questions, please contact us.